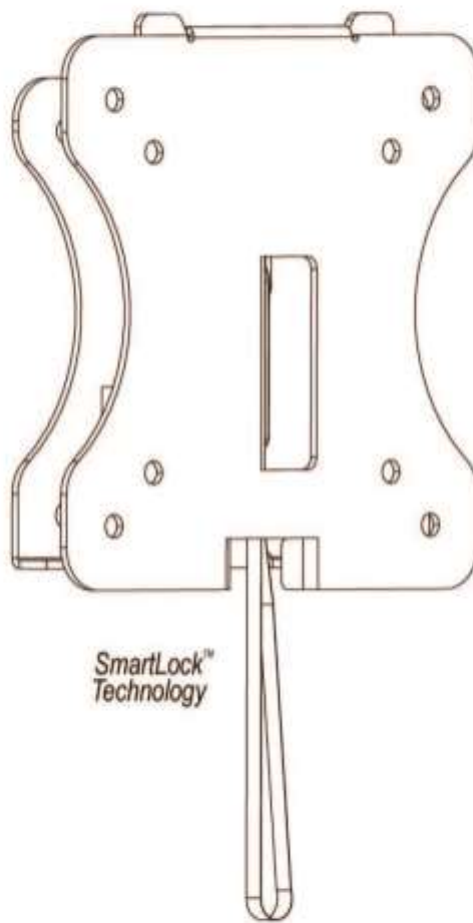


Locking Front Load TV Mount

MasterTM Mounts



CAUTION: DO NOT EXCEED MAXIMUM LISTED WEIGHT CAPACITY. SERIOUS INJURY OR PROPERTY DAMAGE MAY OCCUR!

Model: 401-L



75x75
100x100



Size restricted
by weight



081012

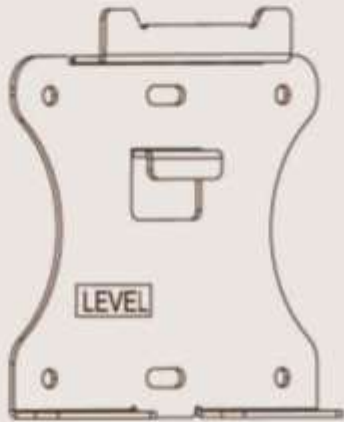
NOTE: Read the entire instruction manual before you start installation and assembly.

WARNING

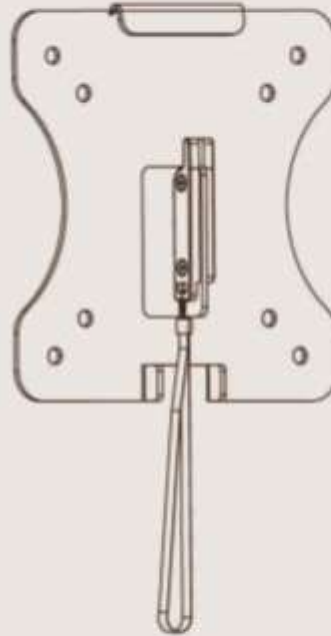
- Do not begin the installation until you have read and understood the instructions and warnings contained in this installation sheet. If you have any questions regarding any of the instruction or warning, please contact your local distributor.
- This mounting bracket was designed to be installed and utilized **ONLY** as specified in this manual. Improper installation of this product may cause damage or serious injury.
- This product should only be installed by someone with good mechanical ability, with basic building experience and the full understanding of this manual.
- Make sure that the supporting surface will safely support the combined load of the equipment and all attached hardware and components.
- If mounting to wood wall studs, make sure that mounting screws are anchored into the center of the studs. Use of a stud finder is highly recommended.
- Always use an assistant or mechanical lifting equipment to safely lift and position equipment.
- Tighten screws firmly, but do not over tighten. Over tightening can damage the items, greatly reducing their holding power.

Component Checklist

IMPORTANT: Ensure that you have received all parts according to the component checklist prior to installing. If any parts are missing or faulty, telephone your local distributor for a replacement parts.



Wall Plate (x1)
A



VESA Plate (x1)
B

Package M (use for attaching VESA plate to TV)



M4x12 (x4)
M-A



M5x12 (x4)
M-B



D5 washer (x4)
M-C

Package W (use for attaching wall plate to the wall.)



wood stud
ST5.5x50 (x4)
W-A



wood stud
D6 washer (x4)
W-B



black sheet rock
anchor screw (x4)
W-C

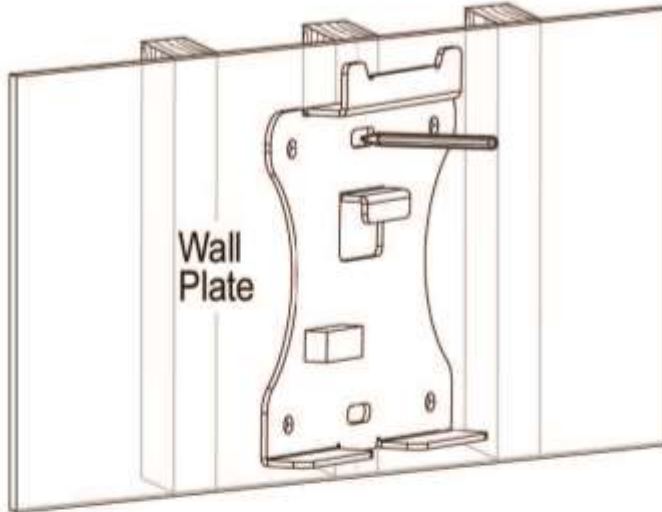
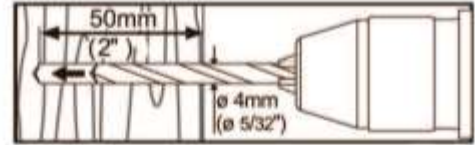


black sheet rock
anchor screw (x4)
W-D



sheet rock anchor (x4)
W-E

1a. Mount on Wood Stud Wall

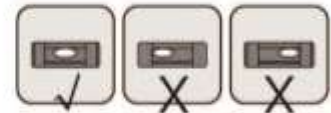
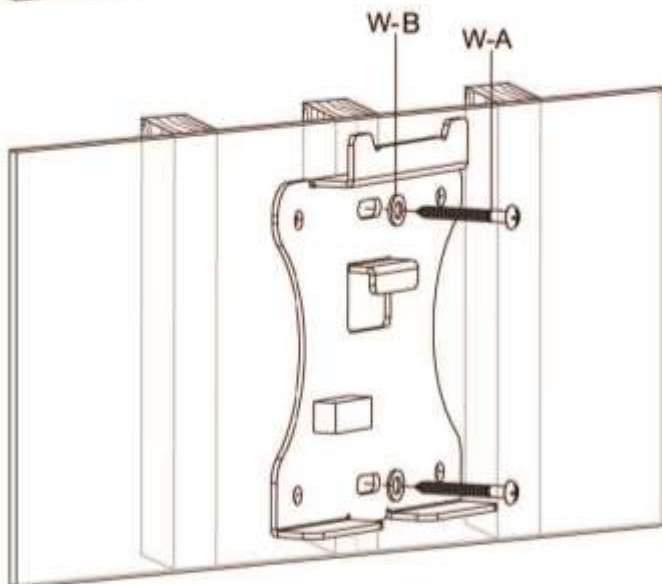


Locate and mark the wood stud(s) located in the wall (*the use of a stud finder tool is very helpful*).

Using the wall plate as a guide, level the wall plate, then mark the exact center of the 2 vertically centered mounting holes.



Drill pilot holes



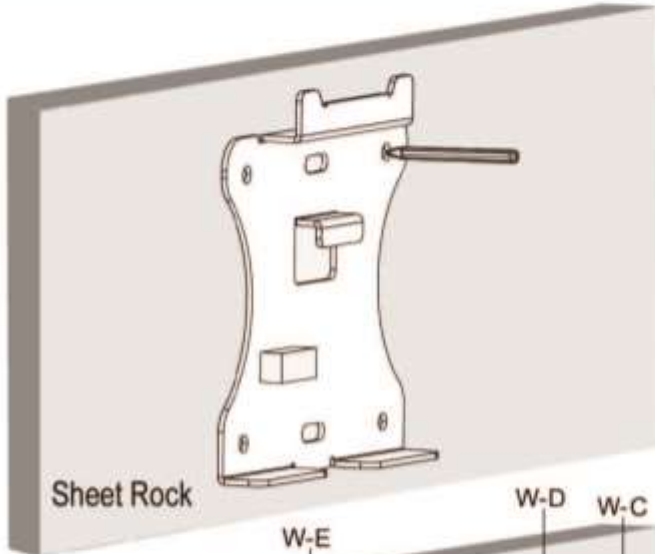
Using the screws and washers provided, screw the wall plate onto the wall. Make sure the plate is level prior totightening all the way. Do not over tighten.



WARNING

- Make sure that mounting screws are anchored into the center of the studs. Use of a stud finder is highly recommended.
- Installers are responsible to provide hardware for other types of mounting situations.
- Installers must verify that the supporting surface will safely support the combined load of the equipment and all attached hardware and components.

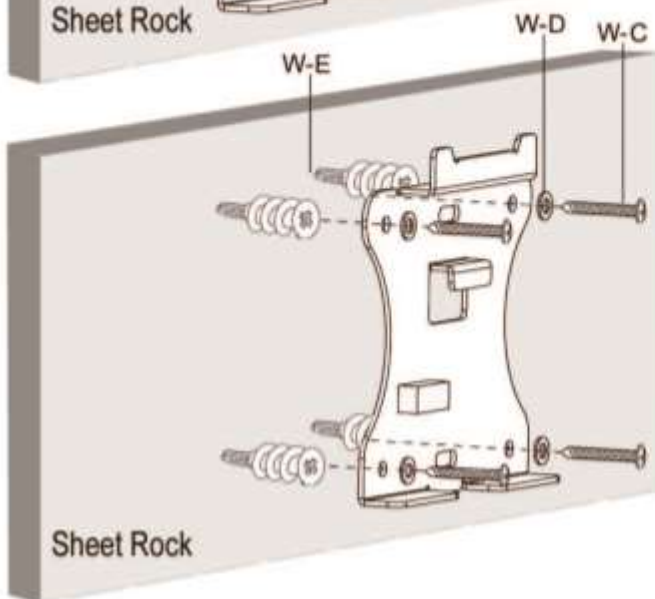
1b. Mount on Sheet Rock



Using the wall plate as a guide, level the wall plate, then mark the exact center of the 4 outside mounting holes.



Drill 1/8" Pilot Holes



Using the sheet rock anchors provided, screw each of them into the pilot holes you drilled, carefully screw each until the anchor is flush with the wall.

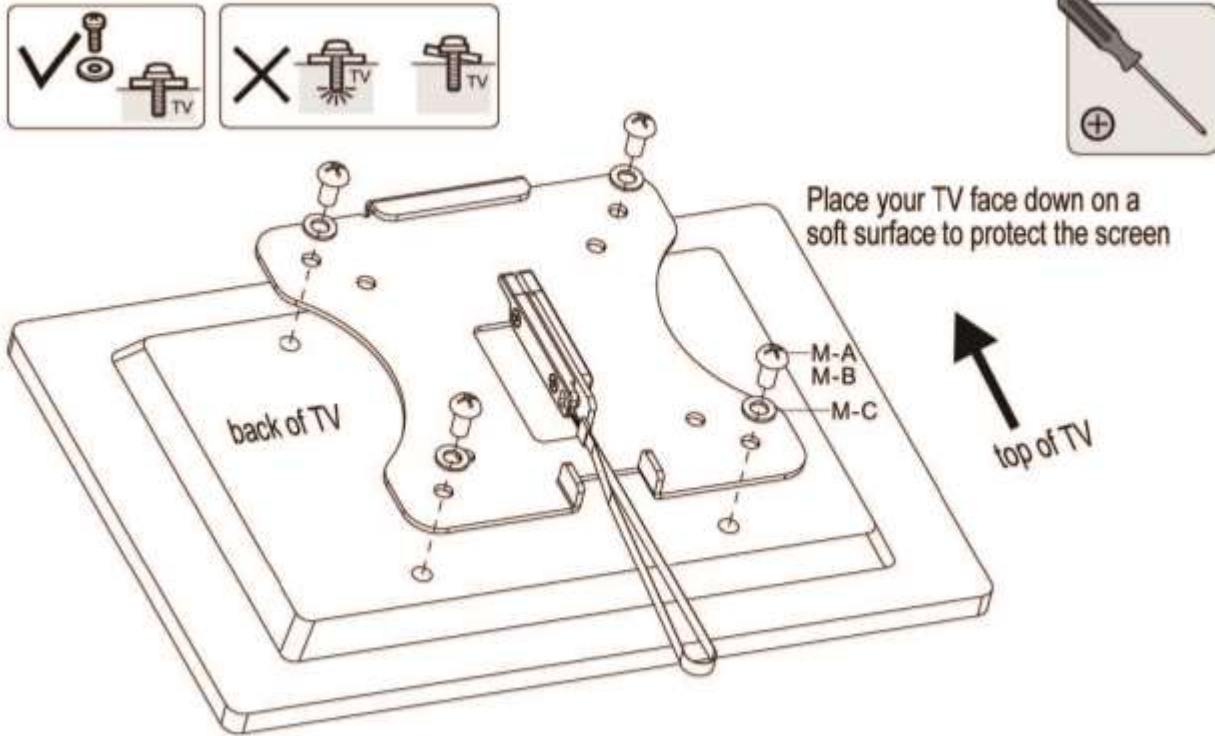


Use black screws and washers to screw the wall plate to the wall. Make sure the plate is level prior to tightening all the way.


IMPORTANT

When mounting on sheet rock, it is possible that one or more screws may also hit a stud. In this case, use the ST5. 5.5x50 screw with the D6. W-C washer so that the screw goes all the way through the sheet rock and into the stud. Follow the same instructions featured in section 1a. Only use the sheet rock anchors where there is not a stud.

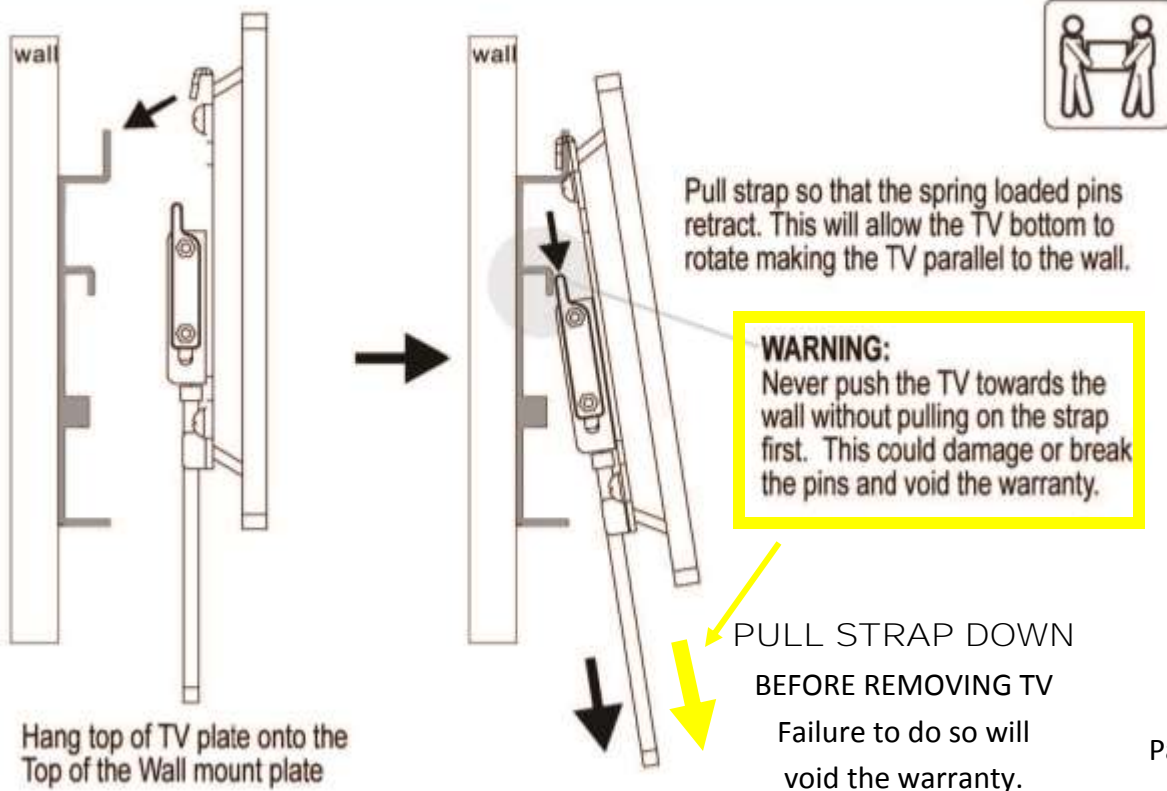
2. Install the VESA Plate



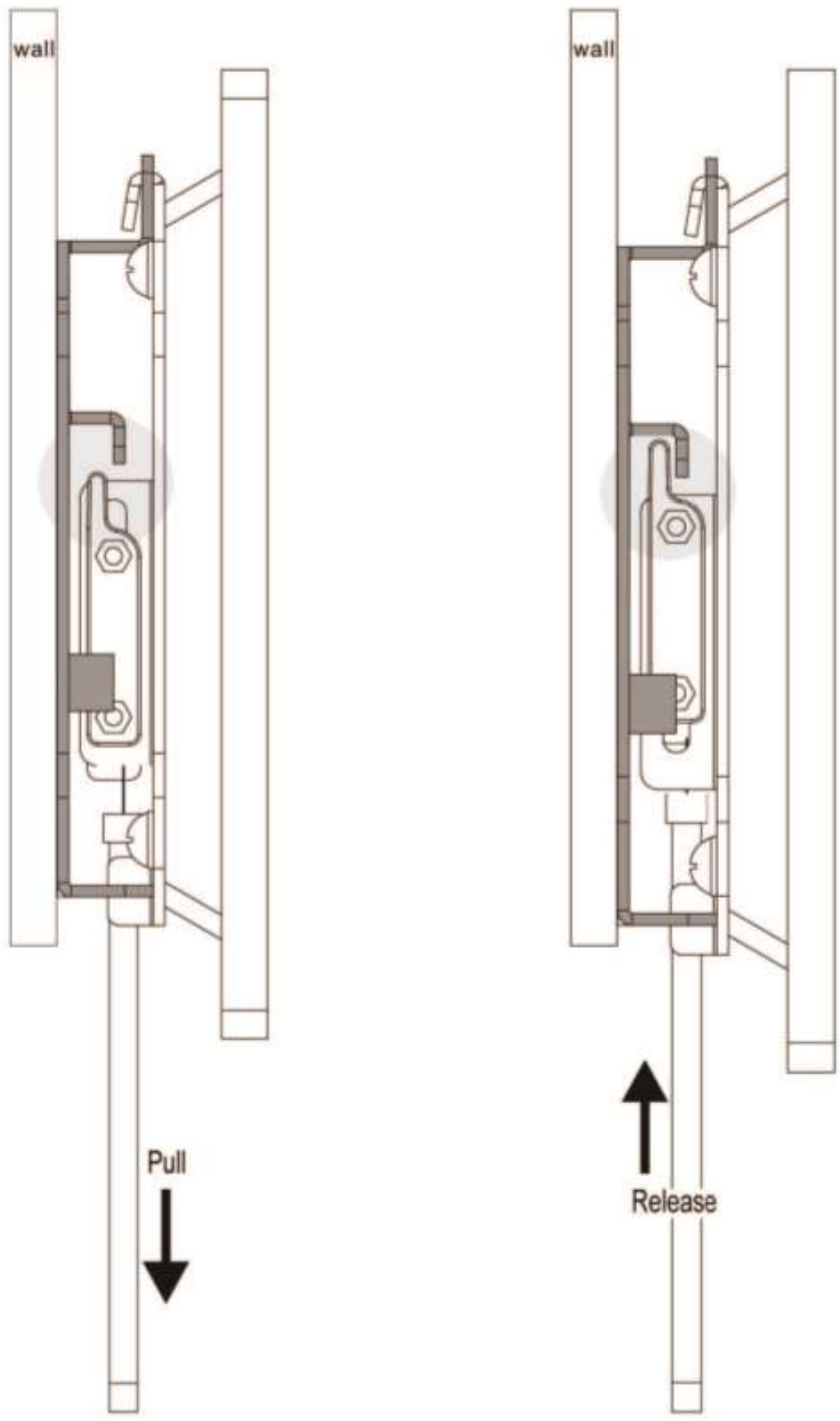
Screw VESA plate onto the display.

 Tighten all screws but do not over tighten.

3. Hang the Display onto the Wall Plate



4. To Lock in Place



The strap's length is adjustable to fit your size TV. Simply adjust the Velcro so that a small amount is visible and accessible to pull when you choose to release the locking feature of the mount. Pull on both side of the straps where they form a loop at the bottom.



Master[™] Mounts

Model: 401-L

Maintenance

- * Check to make sure that your mount is secure and safe at regular intervals (min. every 3 months).
- * Please contact your dealer if you have any questions.

SmartLock[™] Technology

Makes it great for mobile
environments like:

RVs, Campers, Boats, Trailers,
18 wheelers and more...

SmartLock[™] Technology

Discourages theft by keeping your TV out of sight.
You can easily detach the TV and store in a
safe place when not in use.

Enjoy your New Master Mount!

Lifetime Mount Guarantee:

If this mount fails due to normal use,
Master Mounts will fix or replace it for free.

Master Mounts is a trademark of McNaughton Inc. Mpls MN Patent Pending